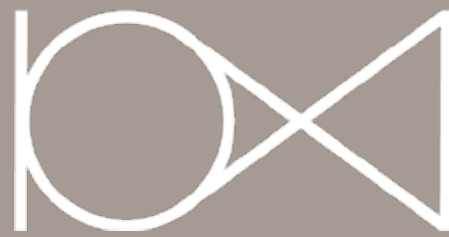


**GHOST S1 Mk III**  
LQ-GHS103-CA

USER MANUAL (ENG)



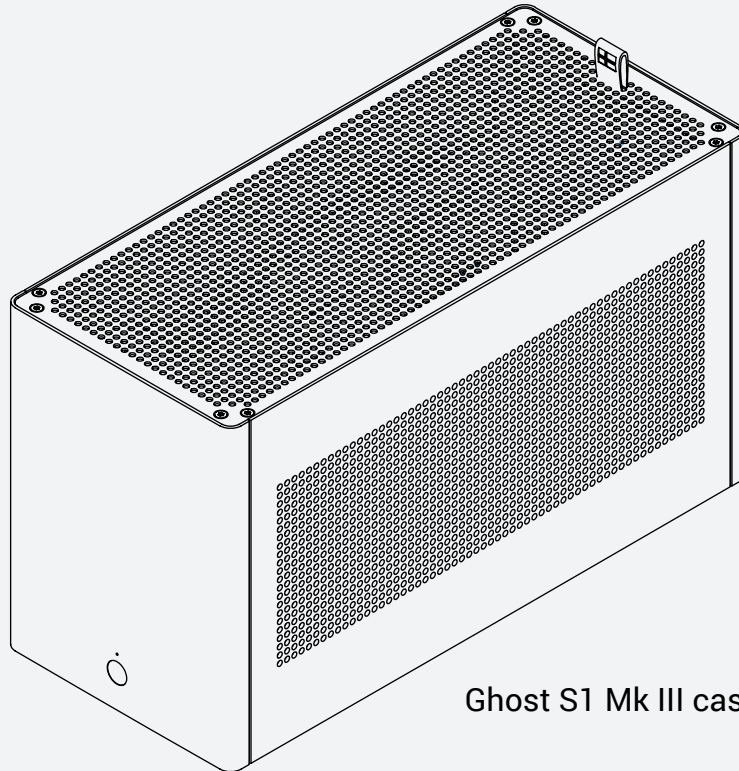
# GHOST S1 Mk III USER MANUAL

## BOX CONTENT

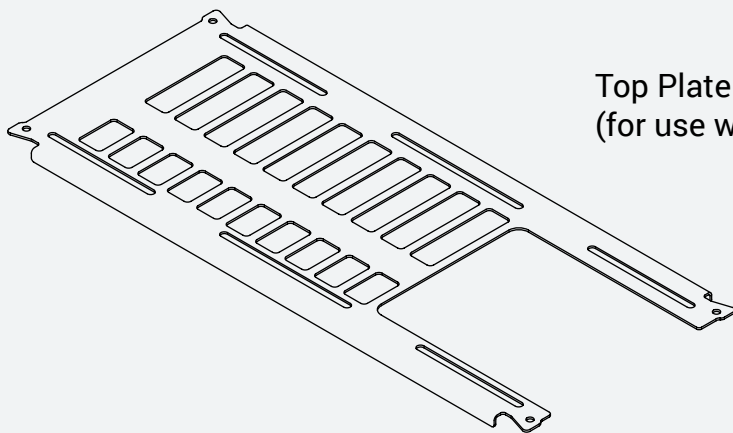
### ※Note

This PC case is made of aluminum.  
Therefore, tightening the screws too hard may damage or damage the screw holes.

We are not responsible for any damage to the screw holes.  
Please be careful when handling it.

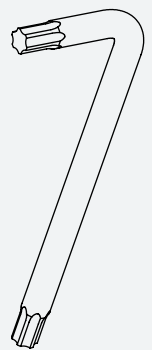


Ghost S1 Mk III case



Top Plate / mounting platform  
(for use with TopHat)

T10 torx key



8x M3x6 countersunk



4x M3x6 button head



8x M3x4 button head

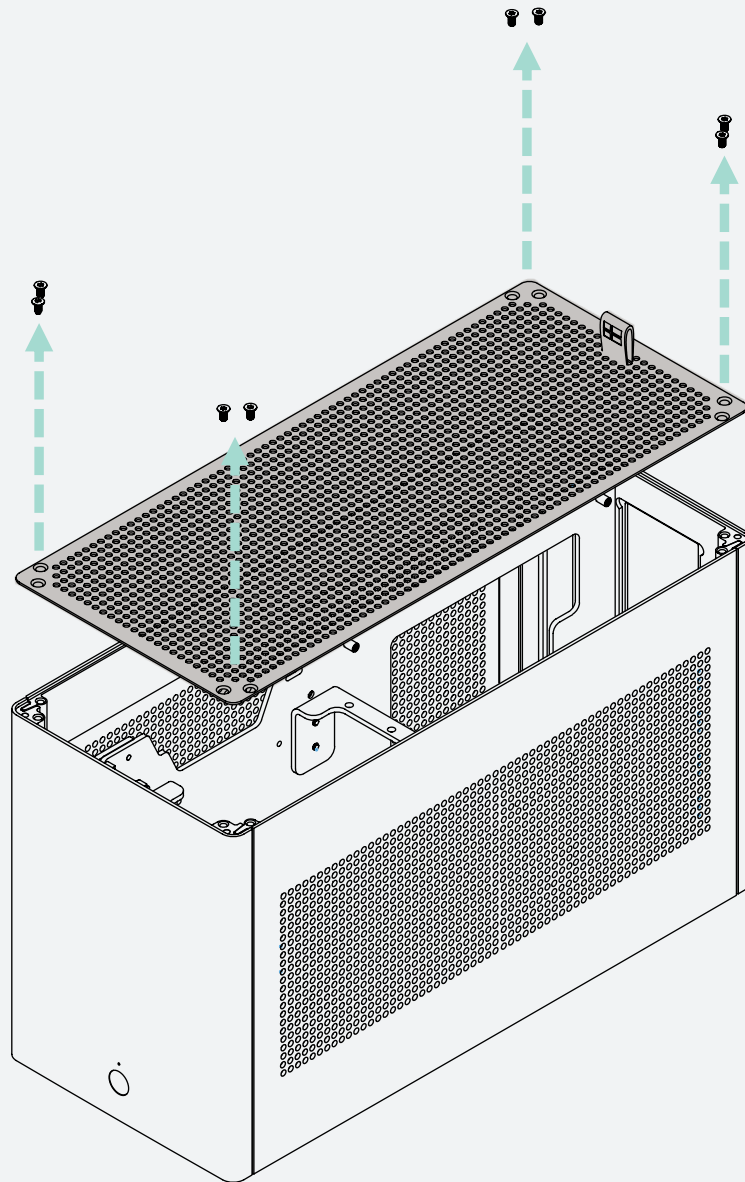


4x #6-32 UNC



# GHOST S1 Mk III USER MANUAL

ILLUSTRATION



## ASSEMBLY STEPS

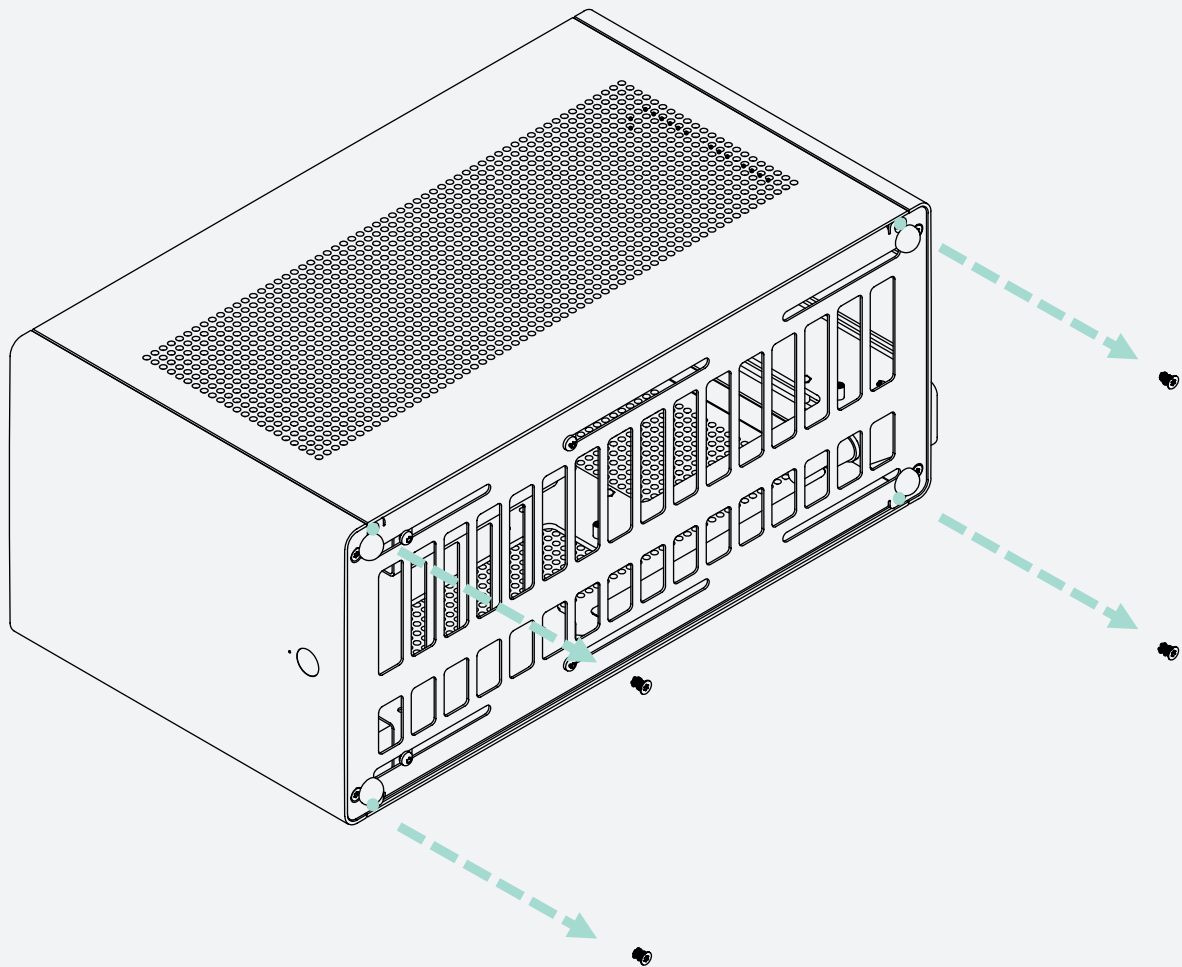
- Unscrew the 8 countersunk screws that hold the grill
- Lift the grill away by pulling the rag tag in the back

## SCREWS



# GHOST S1 Mk III USER MANUAL

ILLUSTRATION



## ASSEMBLY STEPS

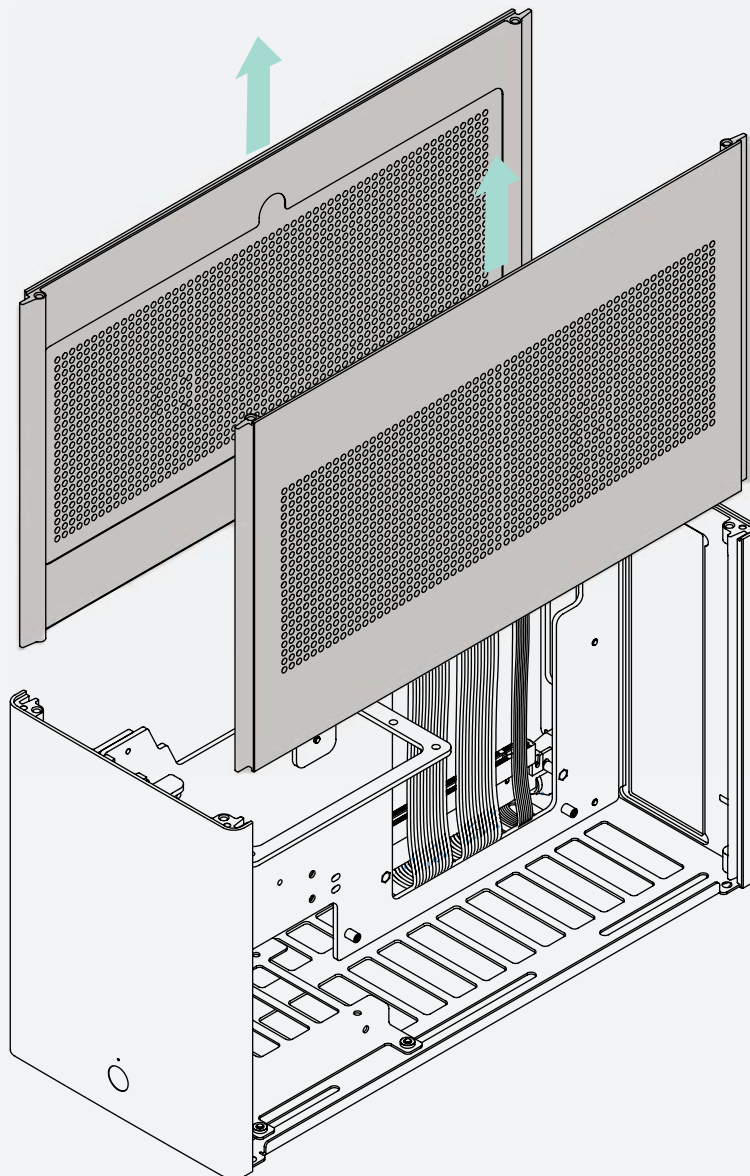
- Unscrew the 4 bottom screws that are holding down the side panels

## SCREWS



# GHOST S1 Mk III USER MANUAL

ILLUSTRATION



## ASSEMBLY STEPS

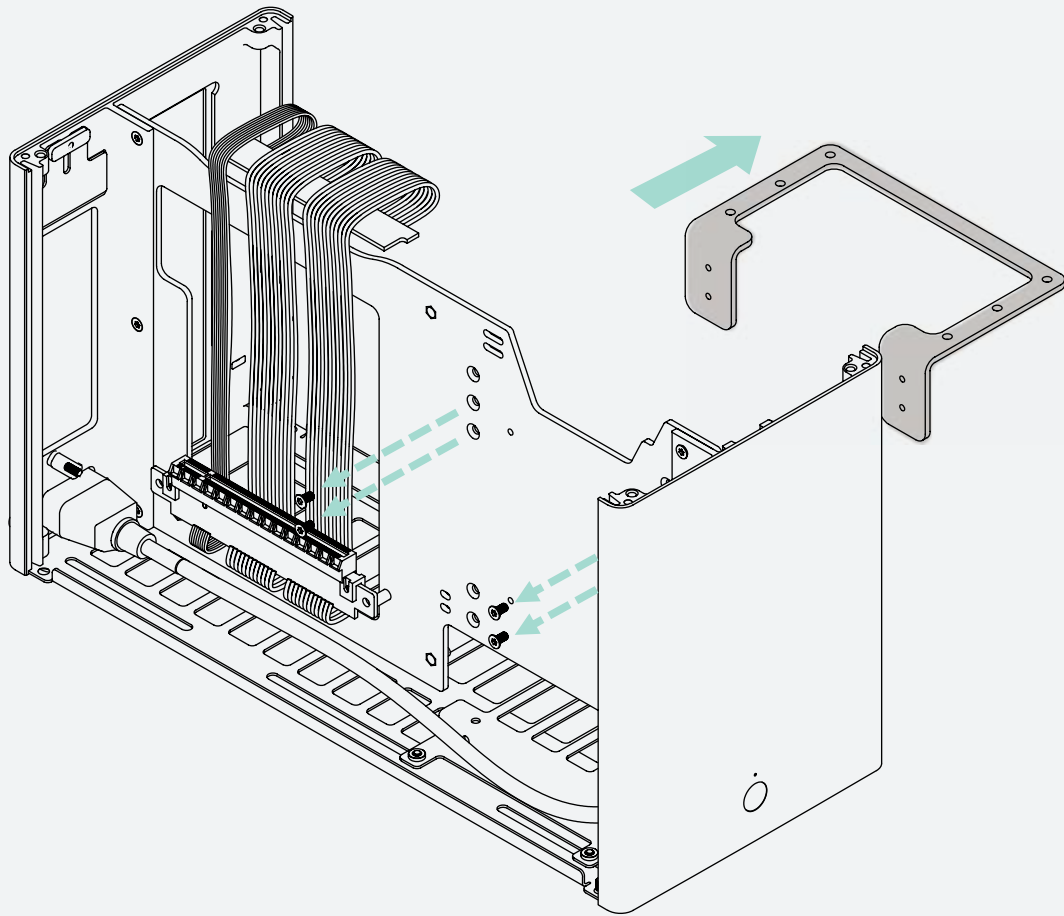
- Pull the side panels straight up and put them aside

## SCREWS



# GHOST S1 Mk III USER MANUAL

ILLUSTRATION



## ASSEMBLY STEPS

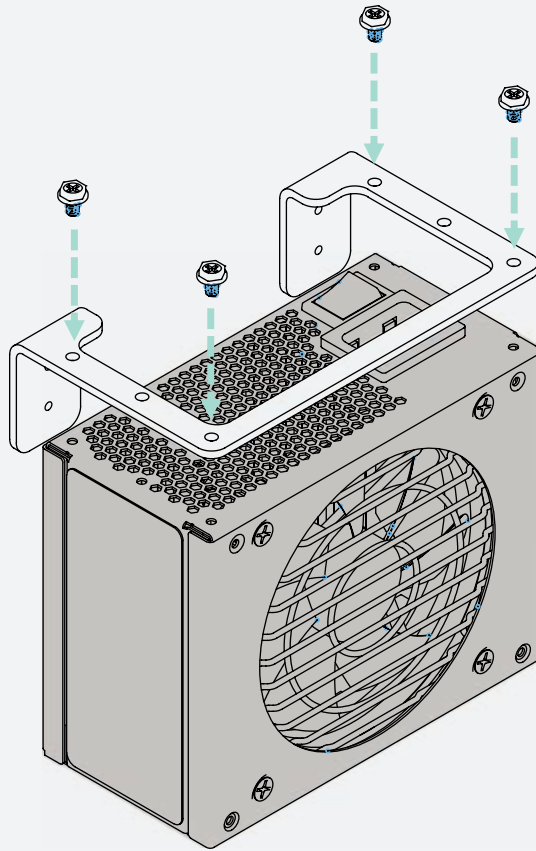
- Unscrew the PSU bracket

## SCREWS



# GHOST S1 Mk III USER MANUAL

## ILLUSTRATION



## ASSEMBLY STEPS

- Screw the PSU bracket onto the PSU using 4 #6-32 UNC screws
- Put the mounted PSU and bracket aside

## SCREWS



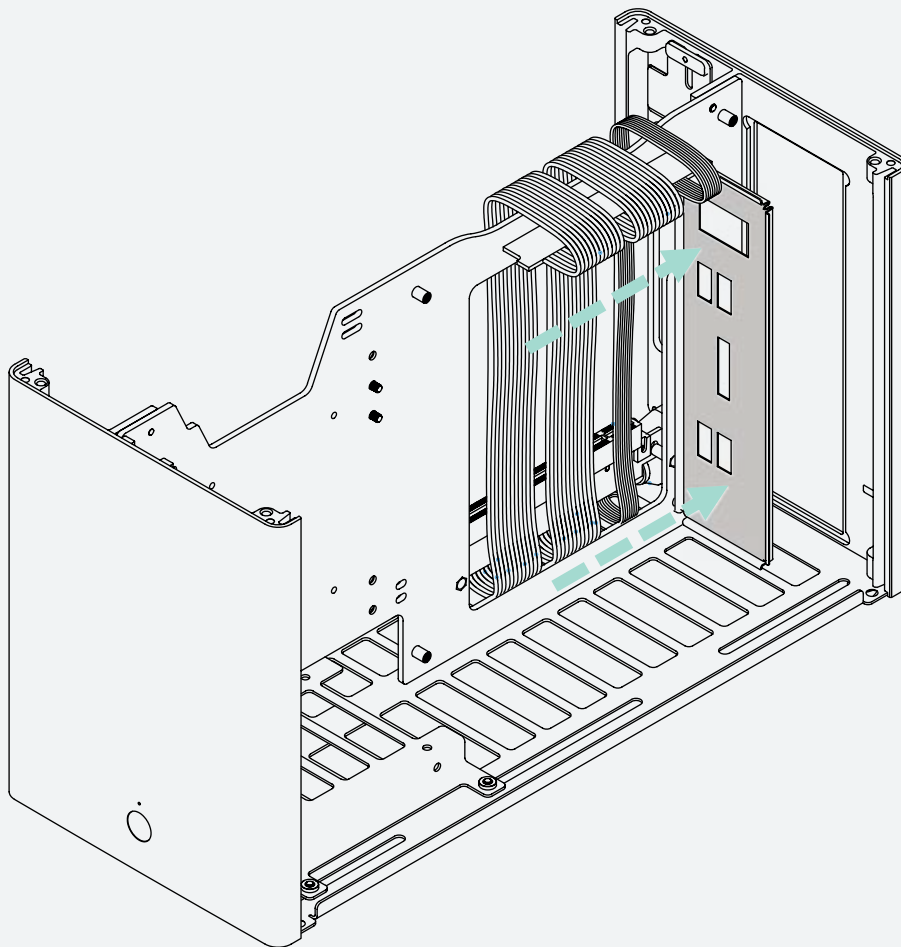
x4





# GHOST S1 Mk III USER MANUAL

ILLUSTRATION



## ASSEMBLY STEPS

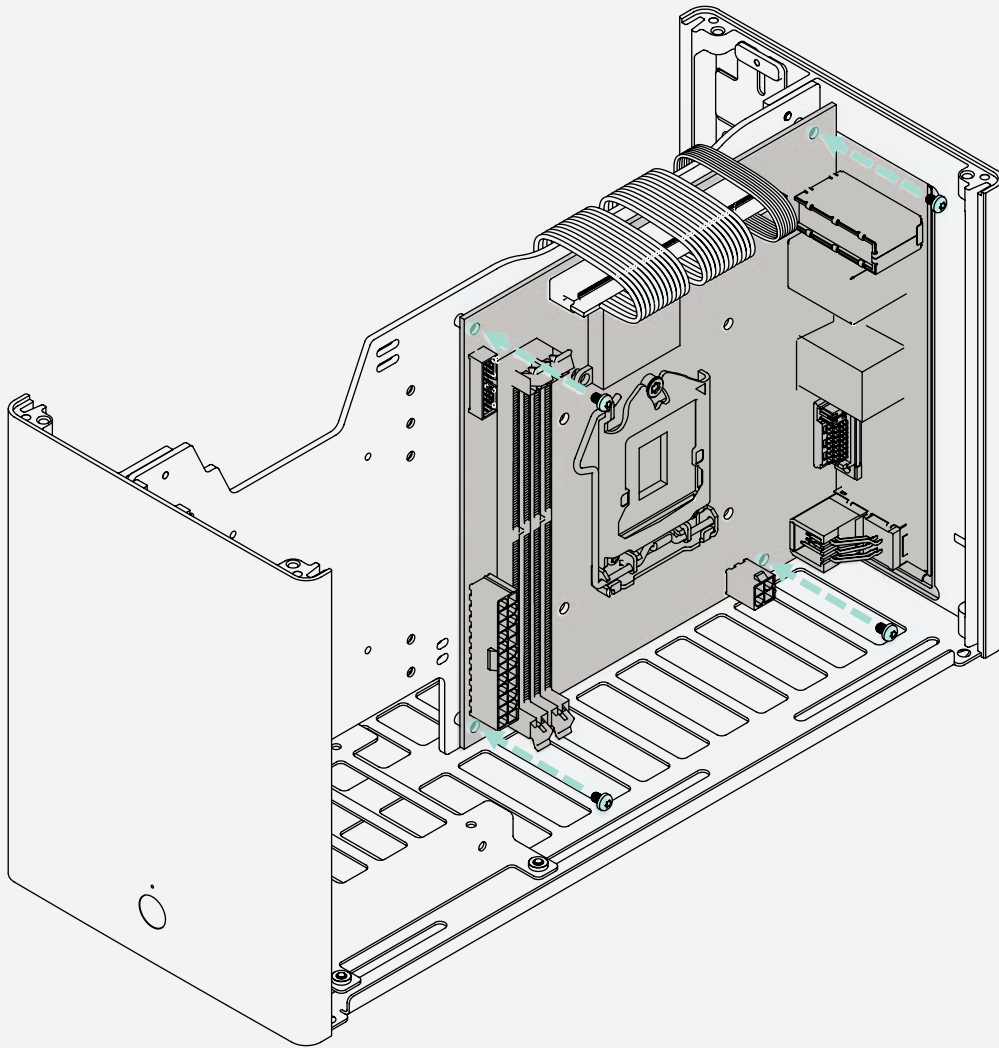
- Install the motherboard I/O shield (optional)

## SCREWS



# GHOST S1 Mk III USER MANUAL

ILLUSTRATION



## ASSEMBLY STEPS

- Install the motherboard and screw it in place
- Push the Riser cable connector into the PCI-e port on the motherboard

## SCREWS



x4



**LOUQE AB**  
Designed in Sweden  
hello@louqe.com www.louqe.com

# GHOST S1 Mk III USER MANUAL

## ILLUSTRATION



## ASSEMBLY STEPS

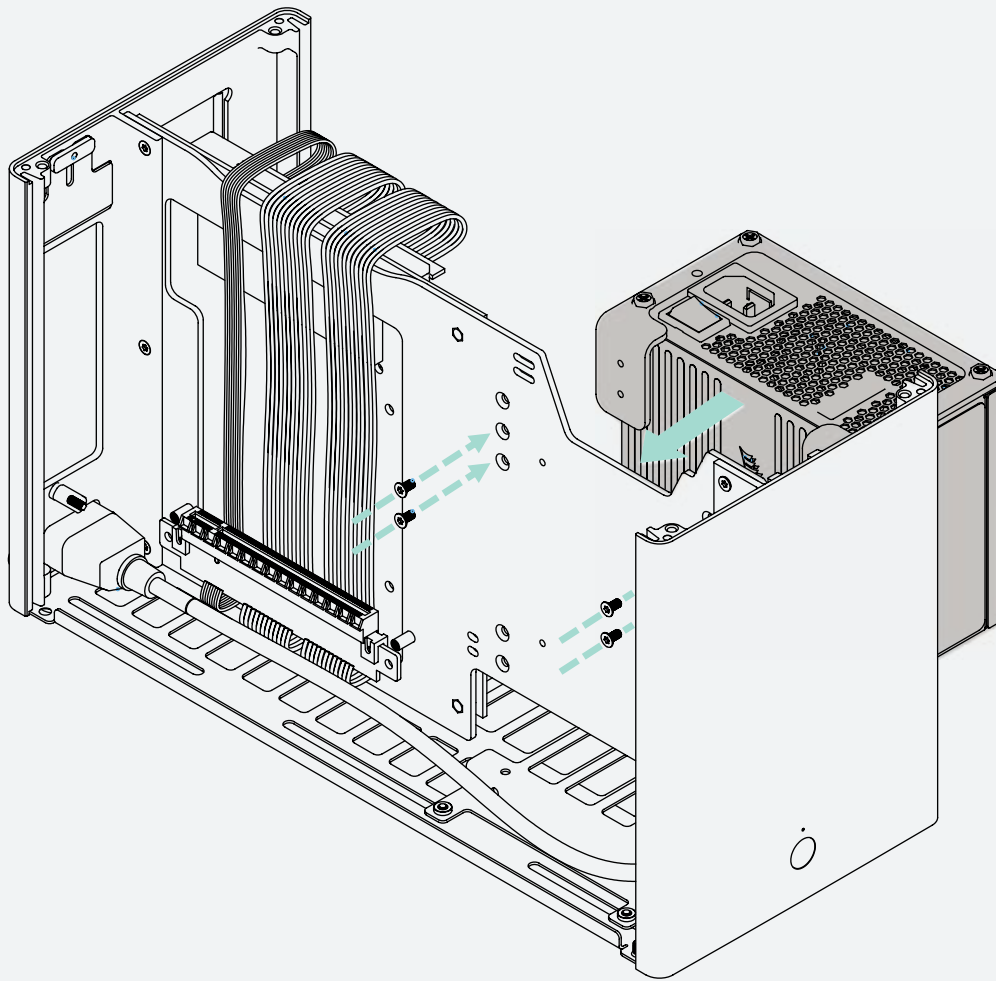
- Connect the LED and power switch cables

## SCREWS



# GHOST S1 Mk III USER MANUAL

## ILLUSTRATION



## ASSEMBLY STEPS

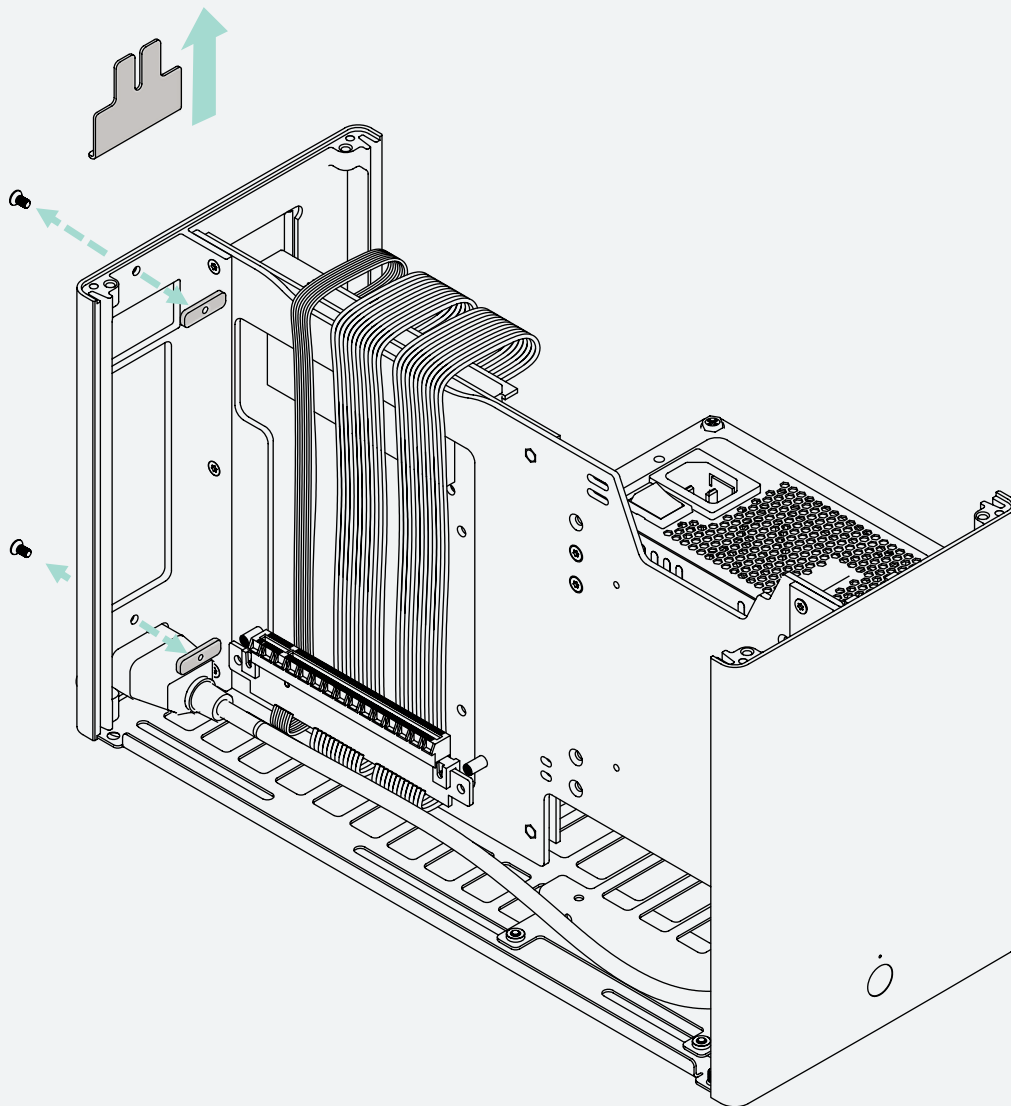
- Connect the power cables needed to the PSU and feed them to the approximate position
- Screw the PSU bracket back in place
- Connect the 24-pin power cable to the motherboard and the CPU power (if needed)

## SCREWS



# GHOST S1 Mk III USER MANUAL

ILLUSTRATION



ASSEMBLY STEPS

- Unscrew the GPU cover plate
- Remove the bottom flat nut

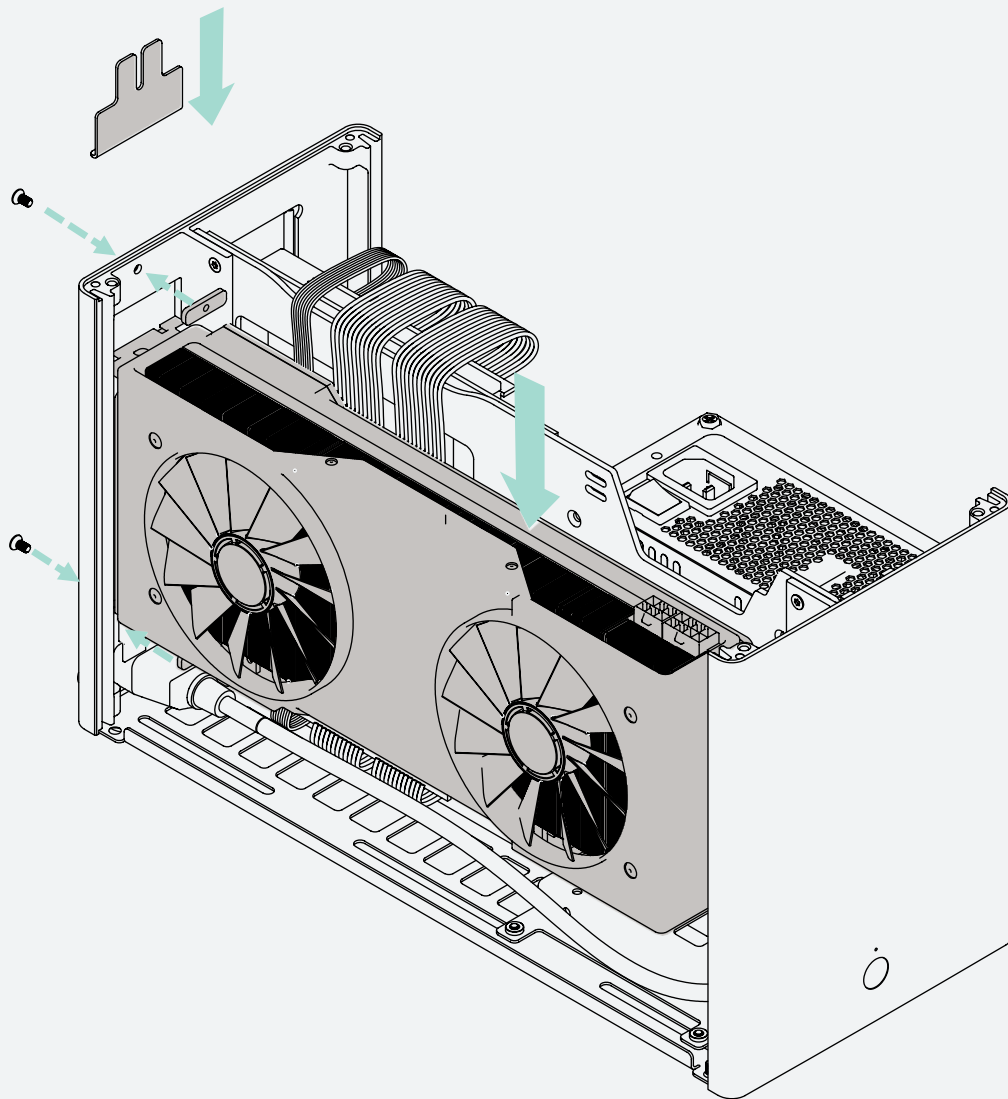
SCREWS



**LOUQE AB**  
Designed in Sweden  
hello@louqe.com www.louqe.com

# GHOST S1 Mk III USER MANUAL

## ILLUSTRATION



## ASSEMBLY STEPS

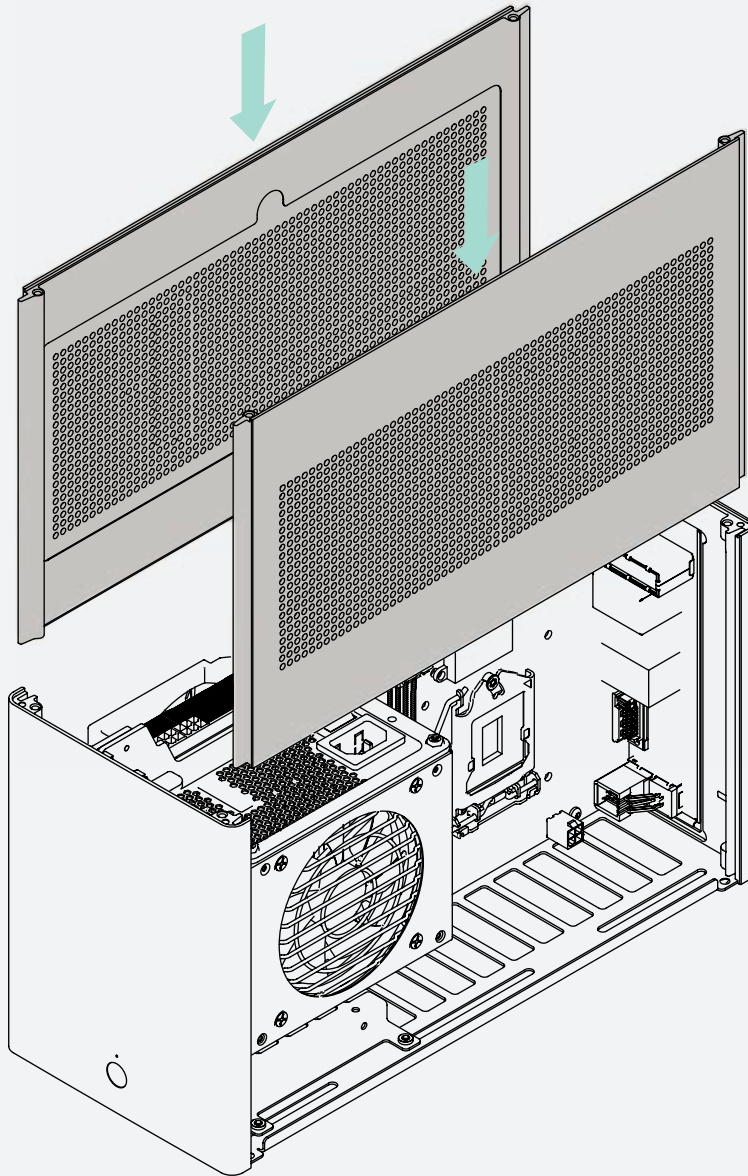
- Mount the GPU and fixate it by screwing the bottom flat nut in place
- Slide in the GPU cover plate in place and screw it tight with the top flat nut
- Connect PCI-e power cables if needed

## SCREWS



# GHOST S1 Mk III USER MANUAL

ILLUSTRATION



ASSEMBLY STEPS

- Slide down the side panels

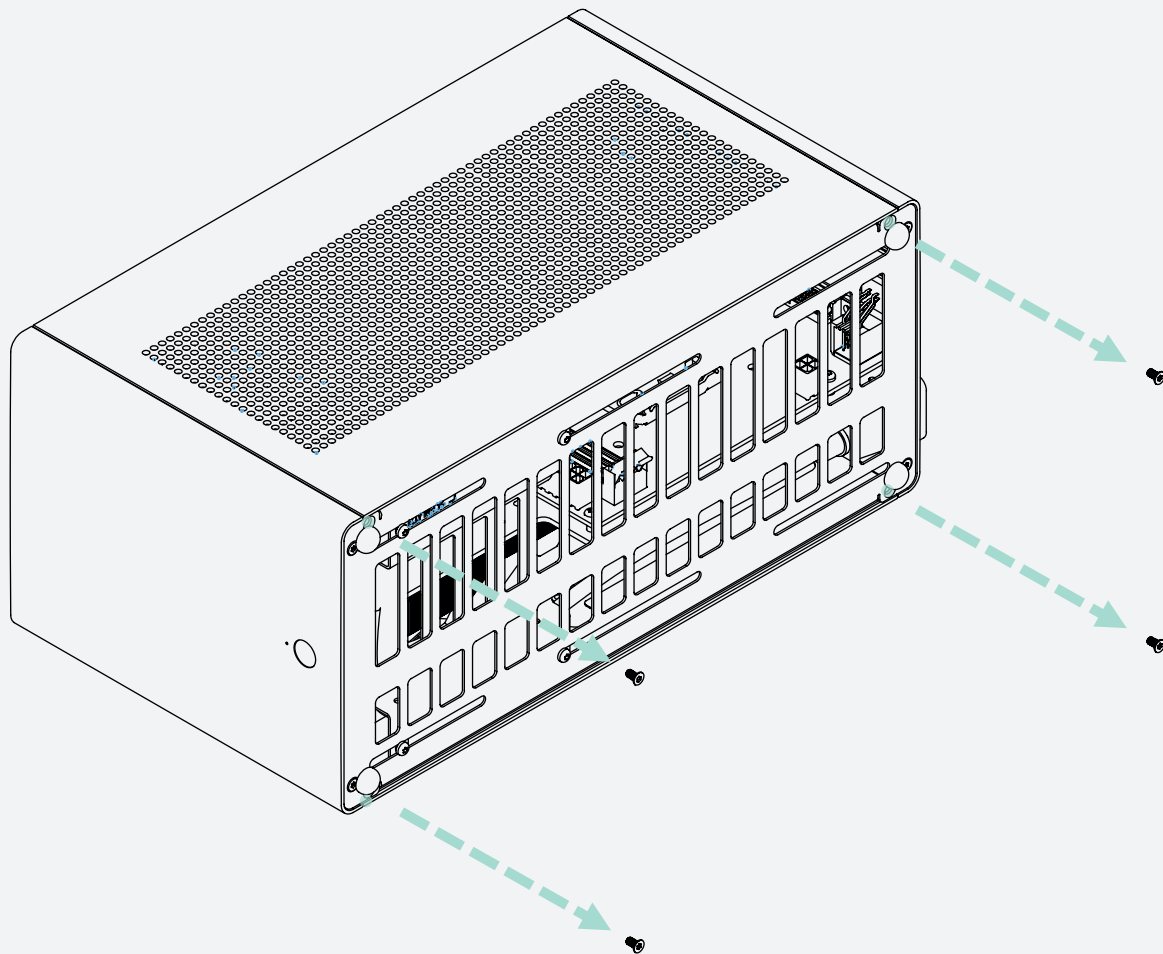
SCREWS



**LOUQE AB**  
Designed in Sweden  
hello@louqe.com www.louqe.com

# GHOST S1 Mk III USER MANUAL

ILLUSTRATION



## ASSEMBLY STEPS

- Fix the side panels to the case with countersunk screws from the bottom

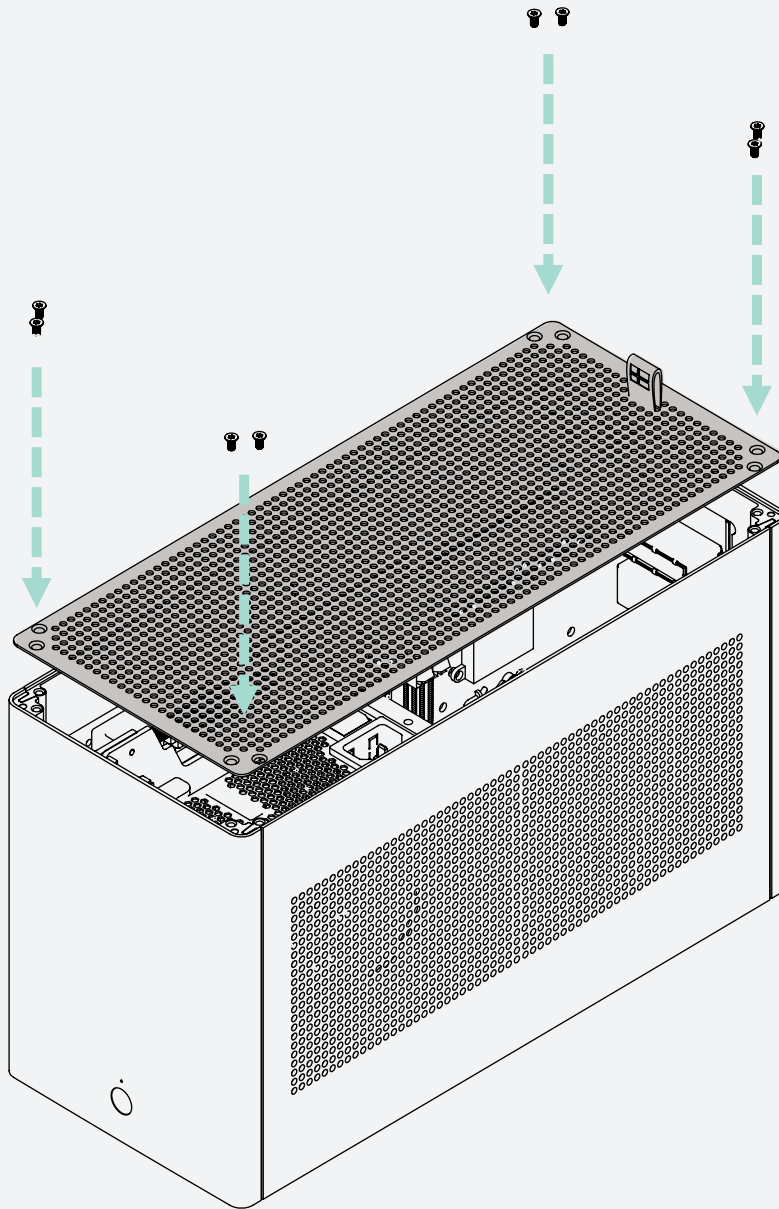
## SCREWS





# GHOST S1 Mk III USER MANUAL

ILLUSTRATION



ASSEMBLY STEPS

- Screw the grill onto the case using 8 countersunk screws

SCREWS



x8



**LOUQE AB**  
Designed in Sweden  
hello@louqe.com www.louqe.com



LOUQE AB  
Designed in Sweden  
[hello@louqe.com](mailto:hello@louqe.com) [www.louqe.com](http://www.louqe.com)